

Fixings USA



Individual Fixtures

- Some situations, as for **top flat solutions, fruits and vegetables shelves** or a **wall** requires special fixtures.



A woman with long dark hair, wearing a light-colored sweater, is pointing at a product on a shelf in a store. A man with a beard, wearing a striped shirt and a light jacket, is smiling and looking at the product. The shelves are filled with various products, including boxes and containers. The background is slightly blurred, showing more shelves and products. The overall atmosphere is bright and positive.

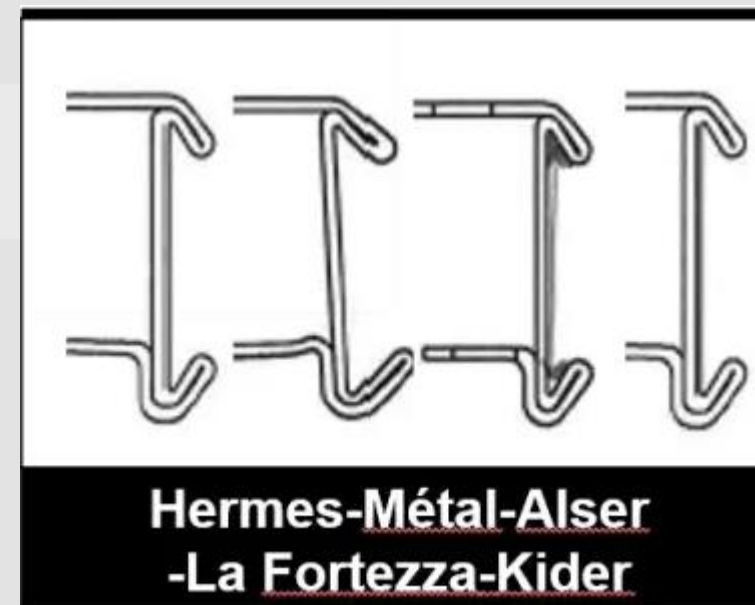
USA Standard Rail Solutions



Rail R6 Standard (C-Channel) –Cammount – Trans, - 4ft (req. 3cams)

Sap Description: VUSION Rail R6 Standard L1210 mm [transparent]

SAP Code	Length	MOQ
4468	4feet- L1210mm	20

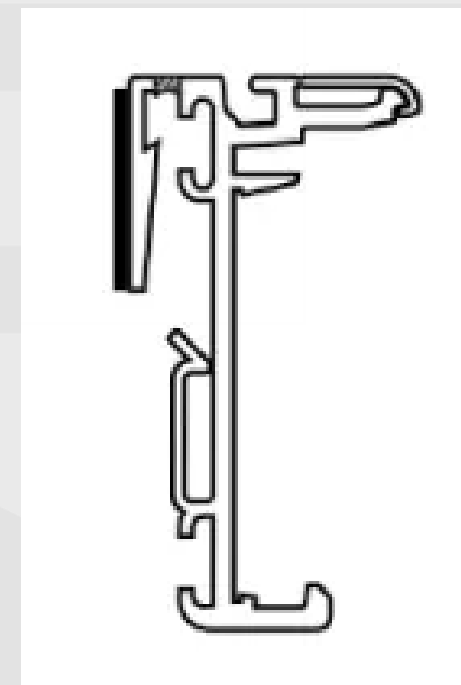




Rail R6 Arasé – Flat edge – Adhesive mount (incl) – Transparent – 4ft

Sap Description: VUSION Rail R6 Arasé with adhesive L1210 mm [transparent]

SAP Code	Length	MOQ
4464	4feet - L1210mm	20

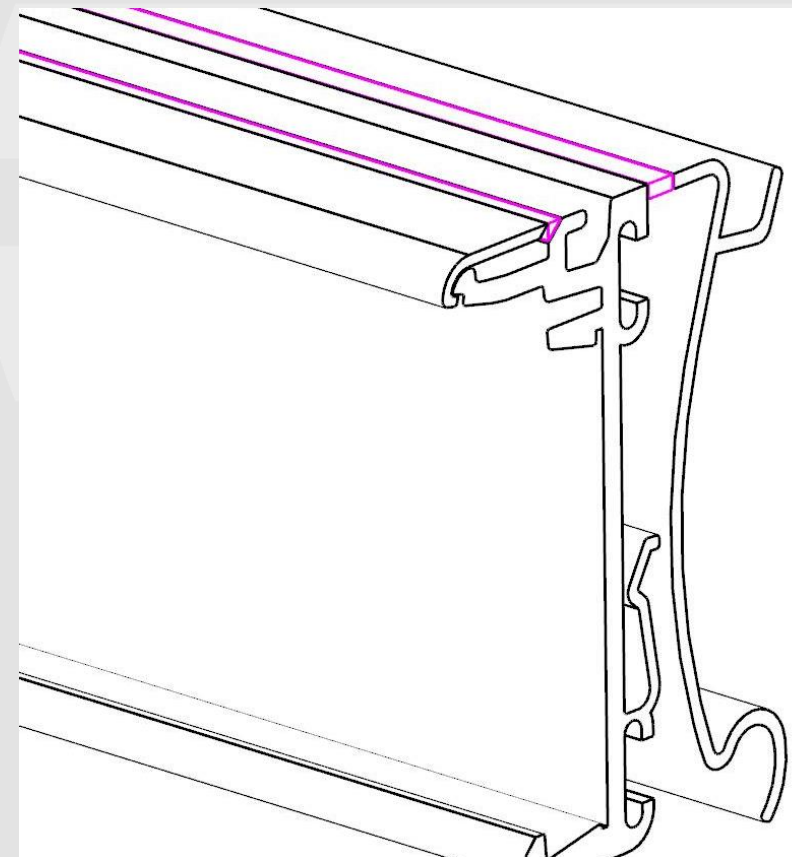
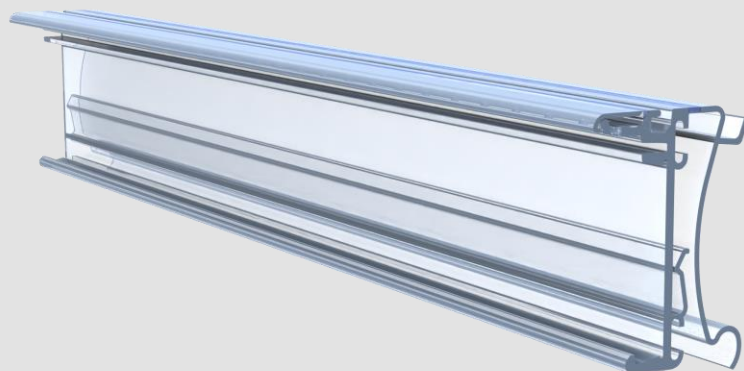




Meethope R6 Lozier/Madix/Husman Black

Sap Description: VUSION R6 Lozier/Madix/Husman - Black

SAP Code	Length	MOQ
13453	30inch – 755mm	40
13452	3feet – 908mm	40
13451	4feet-1203mm	40

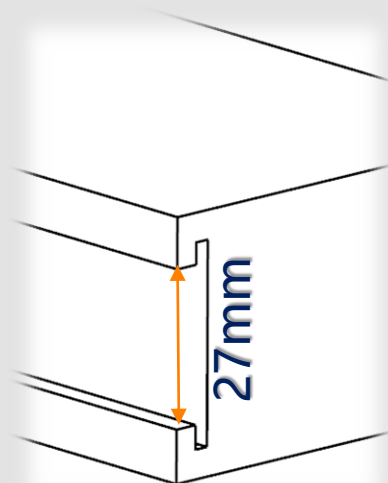
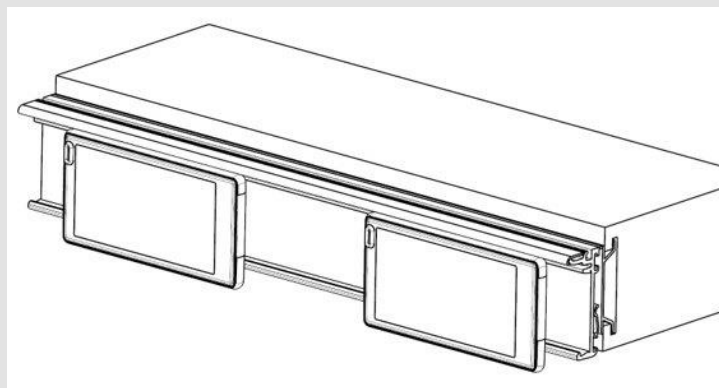




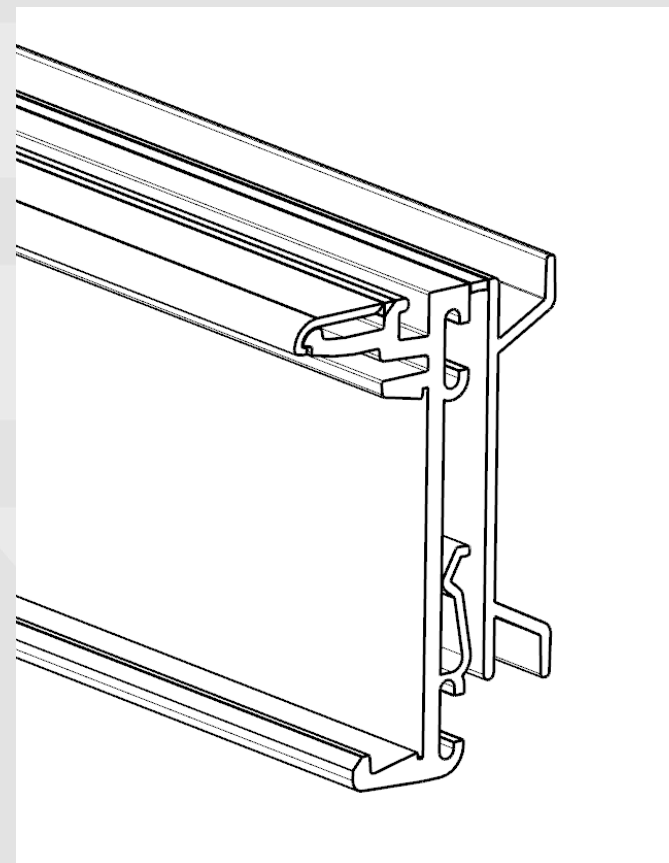
Meethope R6 C-Channel Wood Black

Sap Description: VUSION R6 C-Channel/Wood

SAP Code	Length	MOQ
13423	3feet – 908mm	40
13433	4feet-1203mm	40



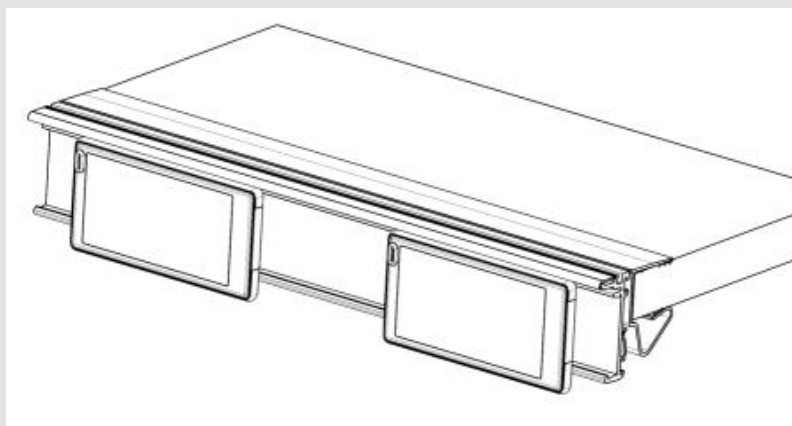
Mainly adapted shelf



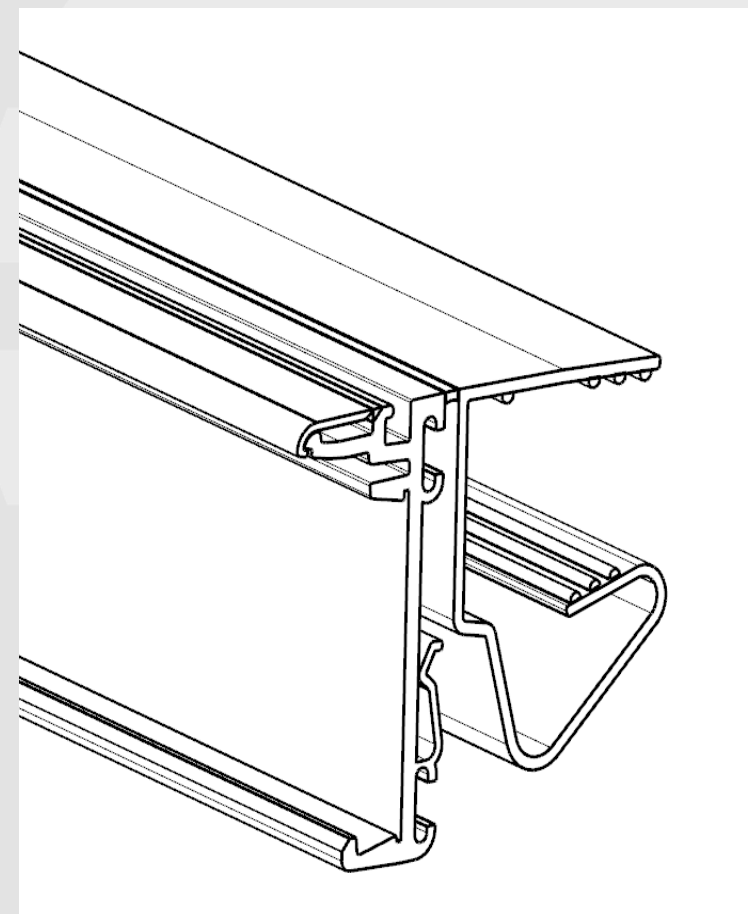
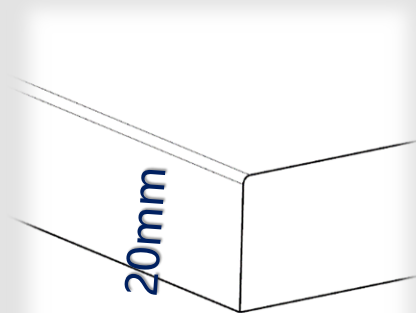


VUSION R6 Flat Shelf - Black

SAP Code	Length	MOQ
13437	3feet – 908mm	30
13439	4feet-1203mm	30



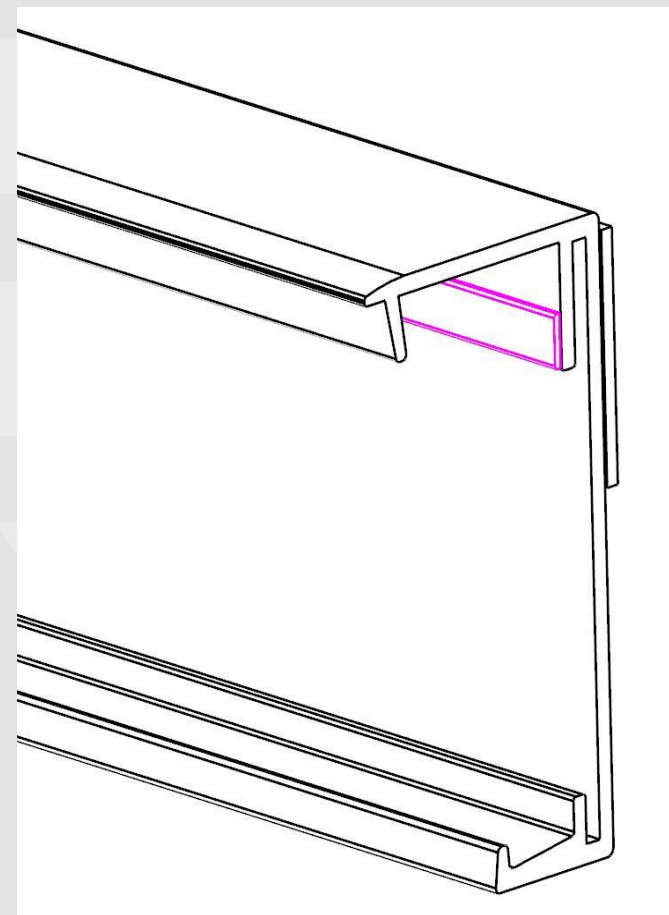
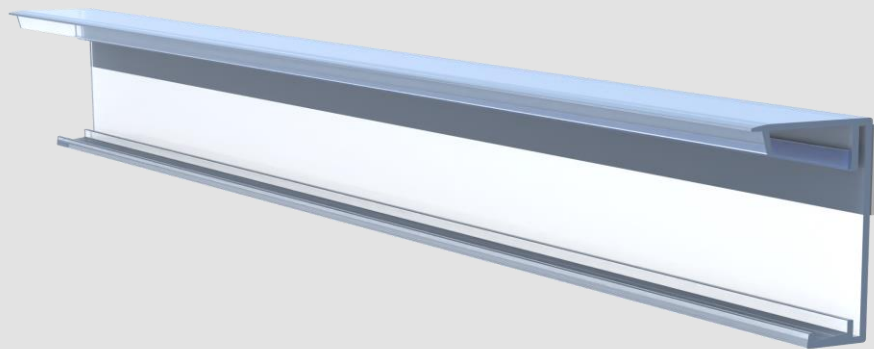
Mainly adapted shelf:





VUSION R6 Flat Surface - Black

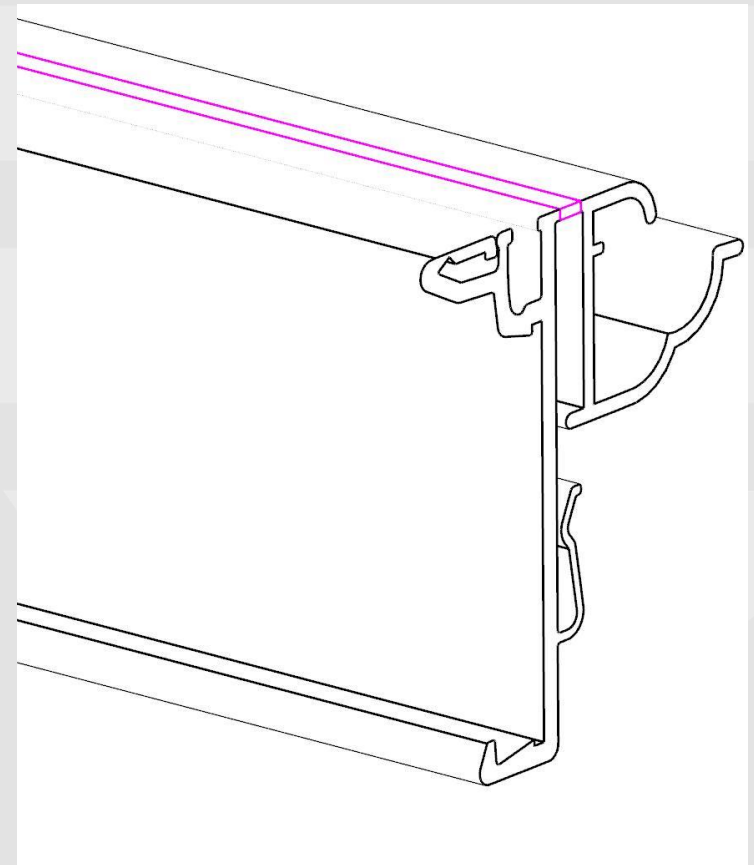
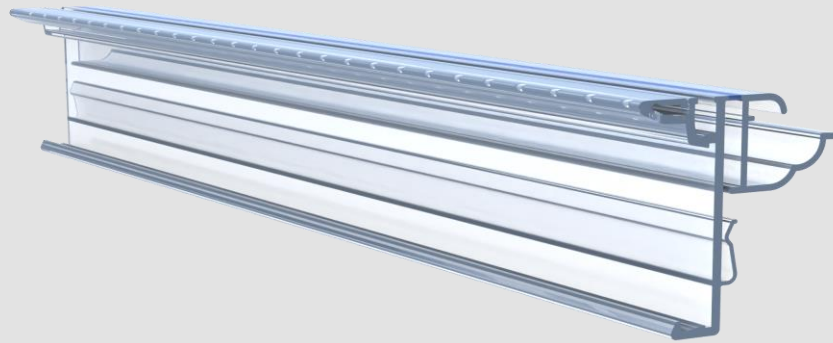
SAP Code	Length	MOQ
13440	3feet – 908mm	50
13441	4feet-1203mm	50





VUSION R6 Wanzl Shelf - Black

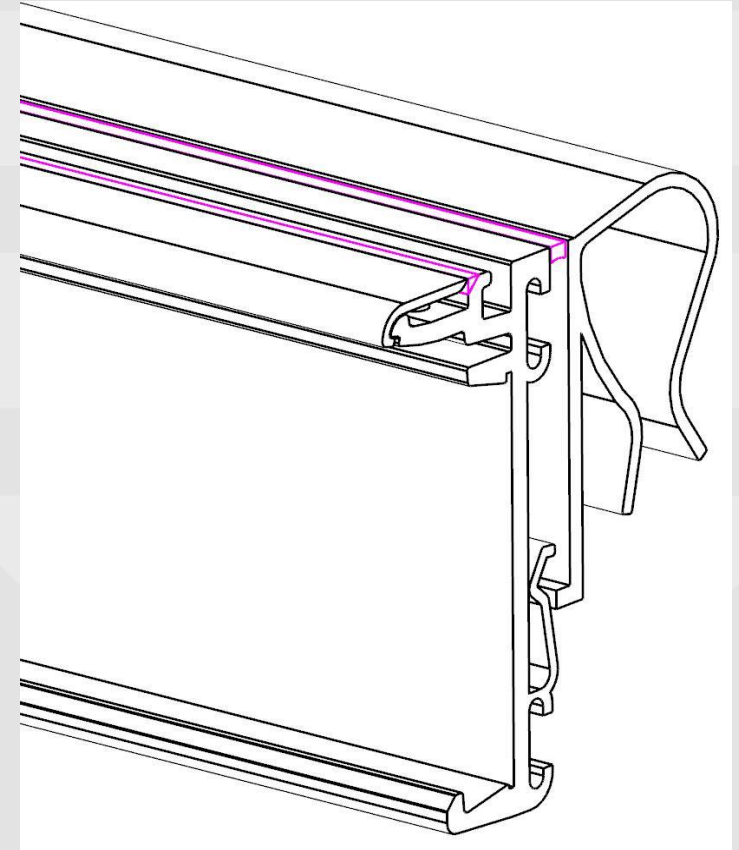
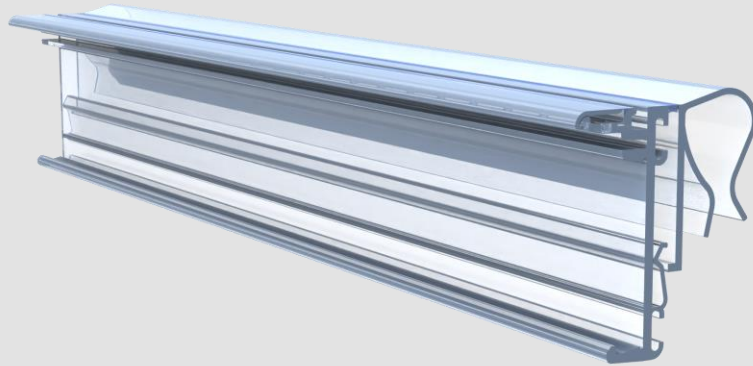
SAP Code	Length	MOQ
13442	3feet – 908mm	40
13443	4feet-1203mm	40





VUSION R6 Wire - Black

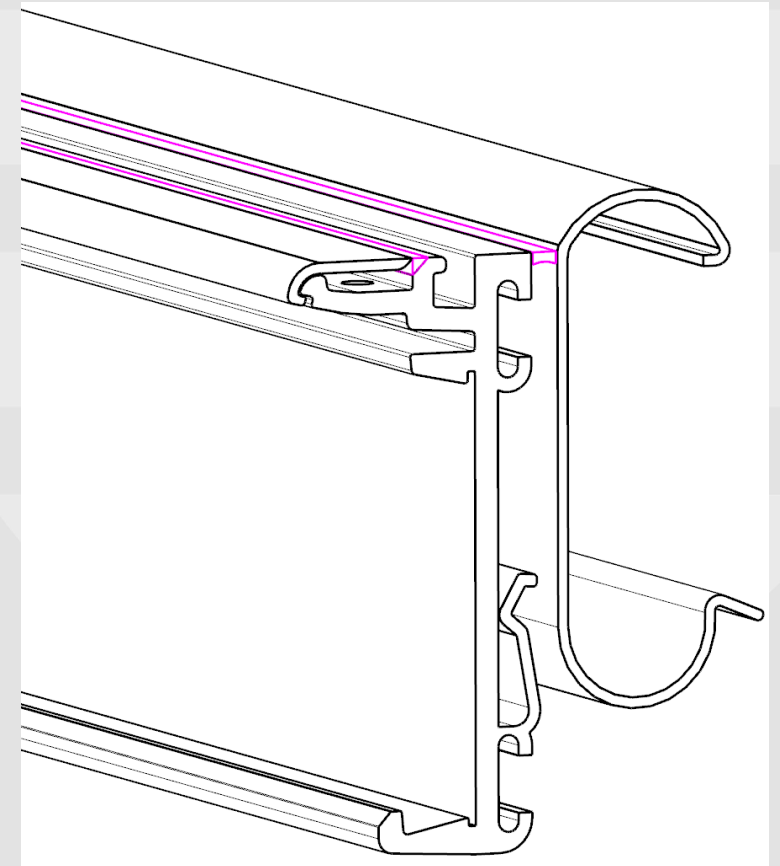
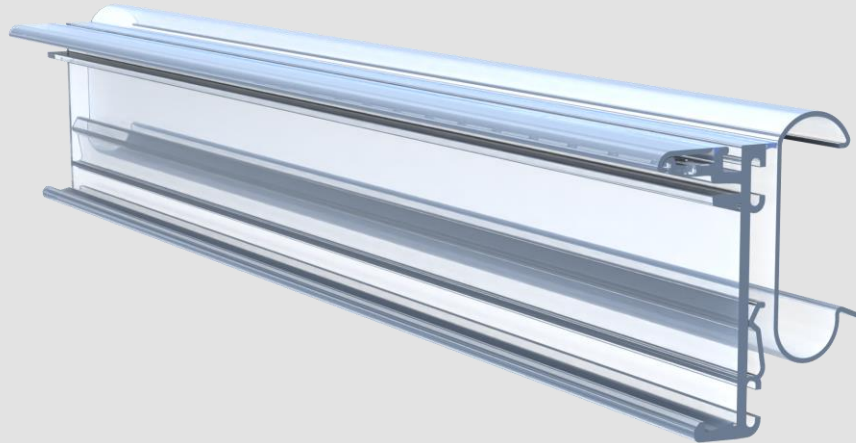
SAP Code	Length	MOQ
13444	3feet – 908mm	40
13445	4feet-1203mm	40





VUSION R6 Metro Shelf - Black

SAP Code	Length	MOQ
13446	3feet – 908mm	40
13447	4feet-1203mm	40



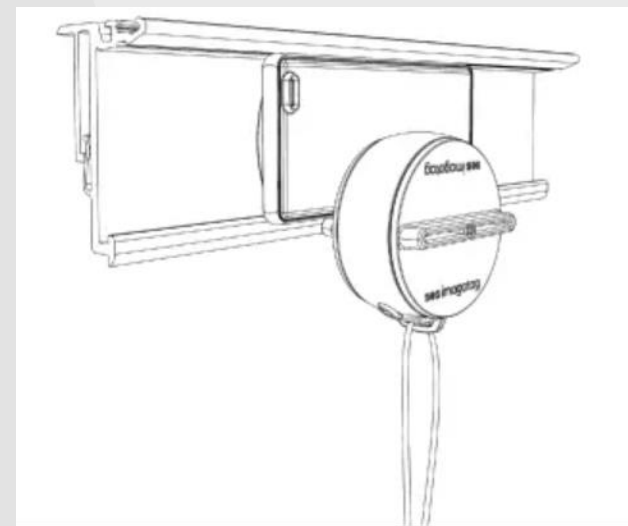
A woman with long dark hair, wearing a light-colored sweater, is pointing at a shelf in a store aisle. A man with a beard, wearing a striped shirt and a light jacket, is smiling and looking at the same shelf. The shelves are filled with various products, including boxes and packages. The background is slightly blurred, showing more shelves and products. The overall atmosphere is bright and positive.

USA Accessories Solutions



VUSION Easy UnLock Tool - Magnet

SAP Code	MOQ
4613	1





Cam-Looking tool

Sap Description: LF Unlocking tool for came

SAP Code	MOQ
4530	1

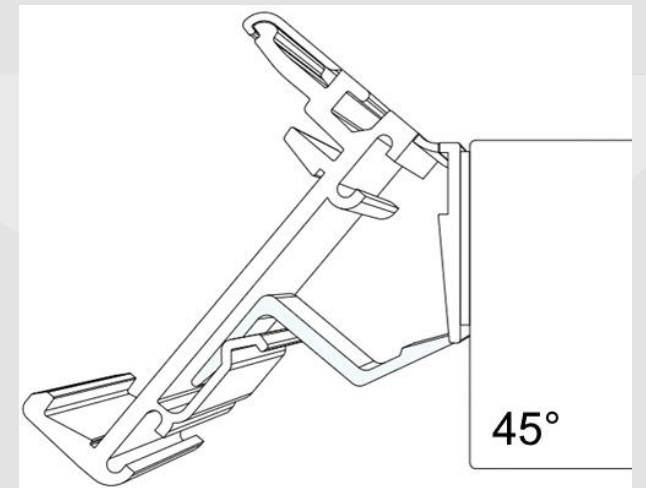
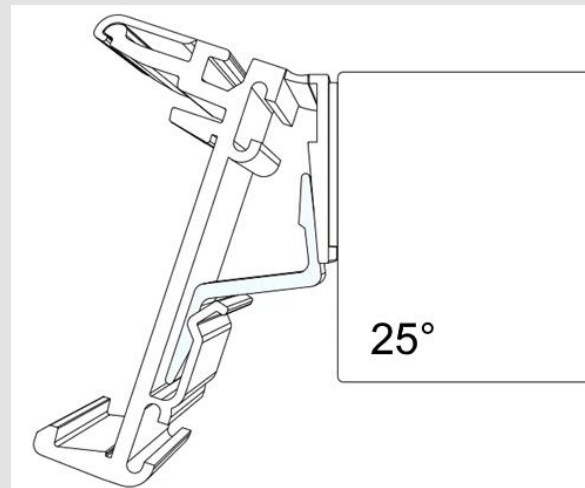




Incline 2 angles 25 degree & 45 degree angle

Sap Description: Incline Spacer 2 Angles 25° / 45° For rails - 35 mm [transparent]

SAP Code	MOQ
12072	100



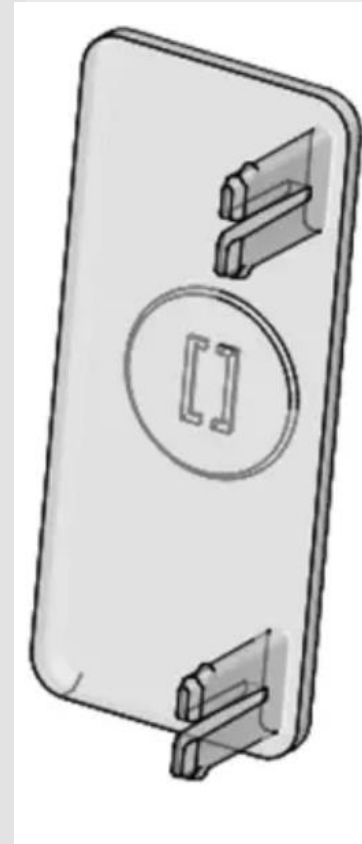
3 per Rails



R6 Rails end-caps

Sap Description: VUSION end cap R6 [transparent]

SAP Code	MOQ
4589	150





R6 Rails Decoratives strips – Black or White Reversible (328ft roll)

Sap Description: Decoration strip R6 double side [black/white] - 100 m

SAP Code	MOQ
5502	1

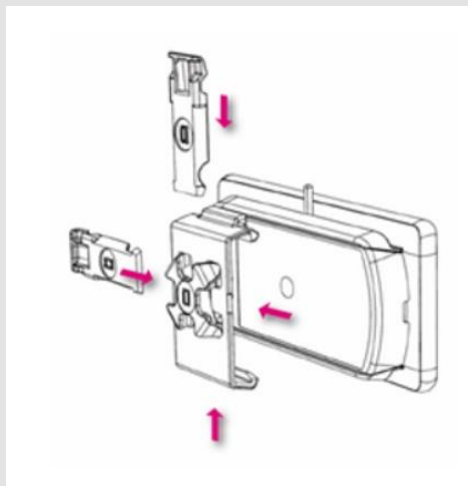




VUSION C-Clip S – anthracite (for 1 dovetail insert landscape & portrait

Sap Description: VUSION C-CLIP S [ANTHRACITE]

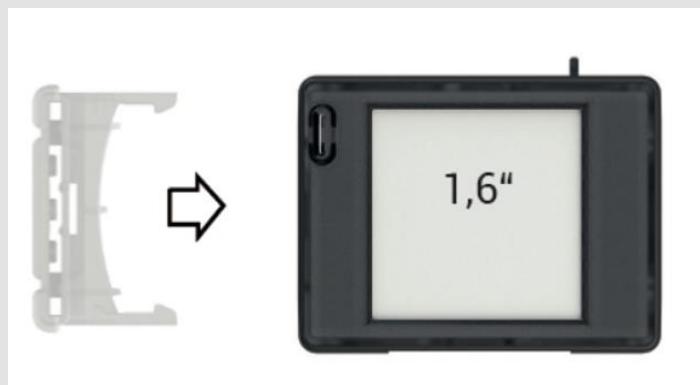
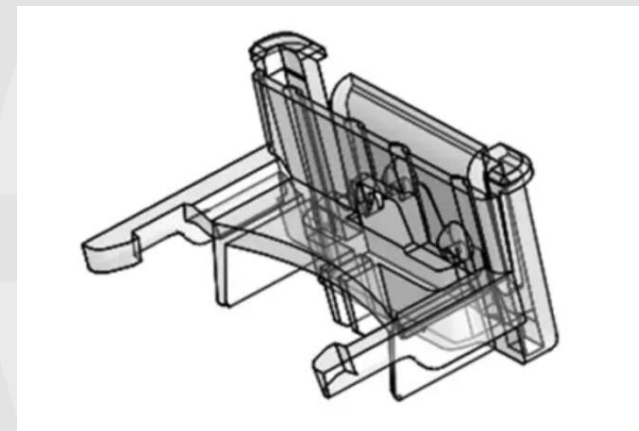
SAP Code	MOQ
3908	150





VUSION Talker Clip S for 1.6, 2.2 [transparent]

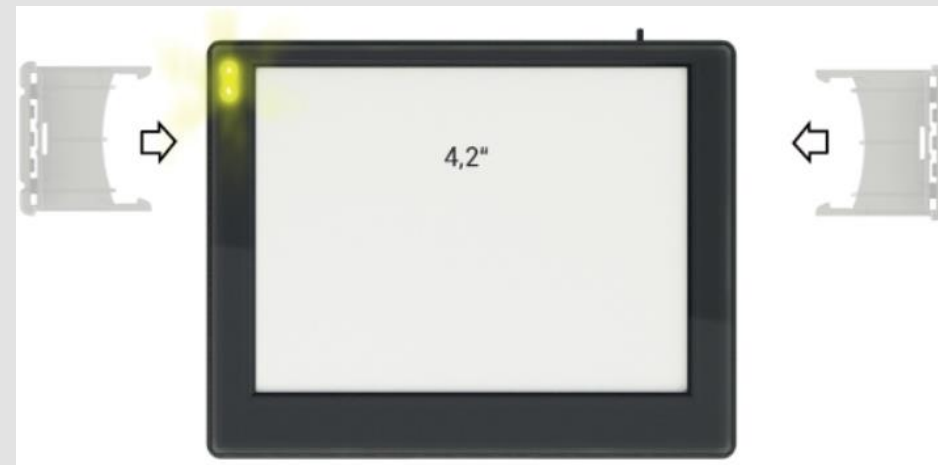
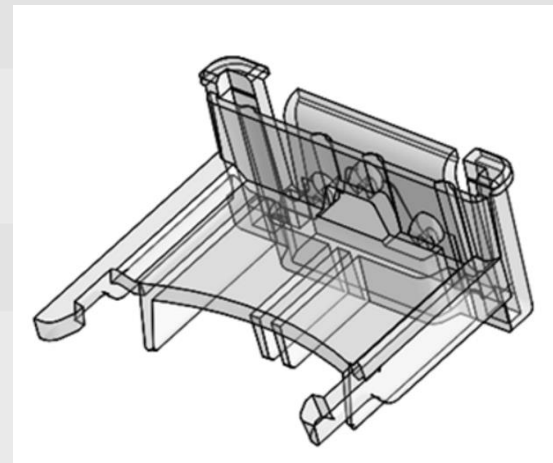
SAP Code	MOQ
3958	100





VUSION Talker Clip L for 2.6, 4.2, 4.5 [transparent]

SAP Code	MOQ
3959	100

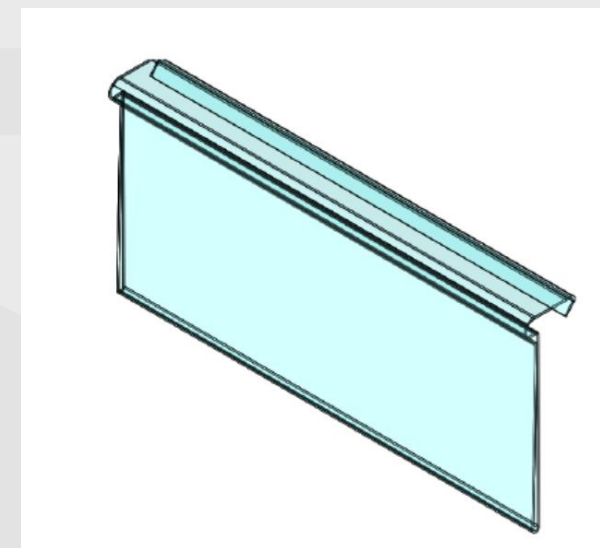
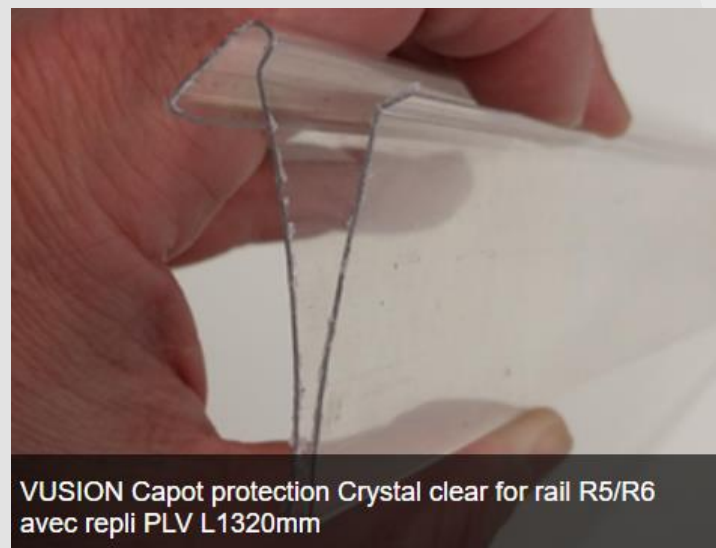
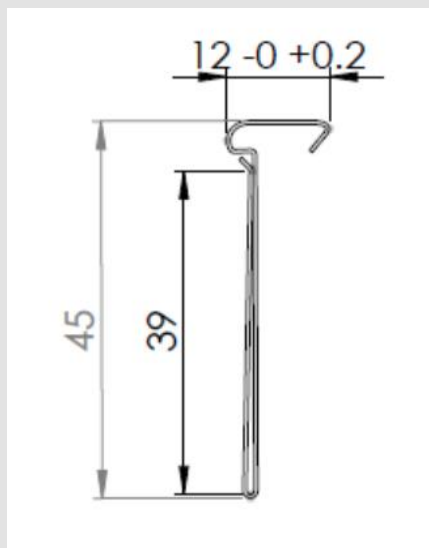




Clear Cover Protection (compatible with R5/R6 Rails)

Sap Description: VUSION Protection cover Crystal clear for rail R5/R6 with wobbler folder L1320 mm

SAP Code	MOQ
4518	40





Cam-C-Channel rail metal looking piece - L type

Sap Description: FIXING CAME "L"

SAP Code	MOQ
4539	200

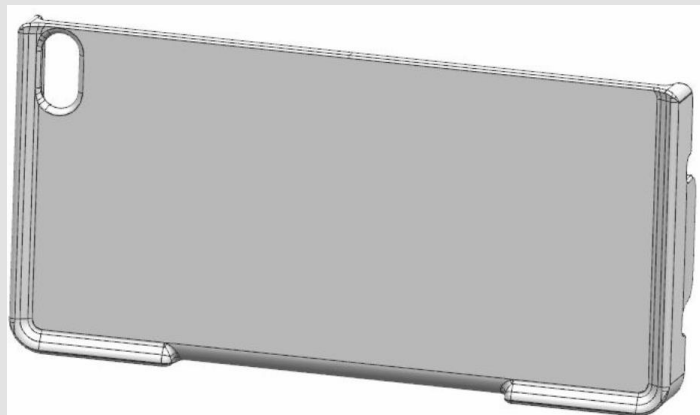




2.6" Protective Cover

Sap Description: VUSION Protection Cover for 2.6 inches

SAP Code	MOQ
4015	25



A woman with long dark hair, wearing a light-colored sweater, is pointing at a shelf of products in a pharmacy. A man with a beard, wearing a striped shirt and a light jacket, is smiling and looking at the products. The shelves are filled with various pharmaceutical products, including boxes and blister packs. The background is slightly blurred, showing more shelves and promotional signs.

USA Individual Solutions



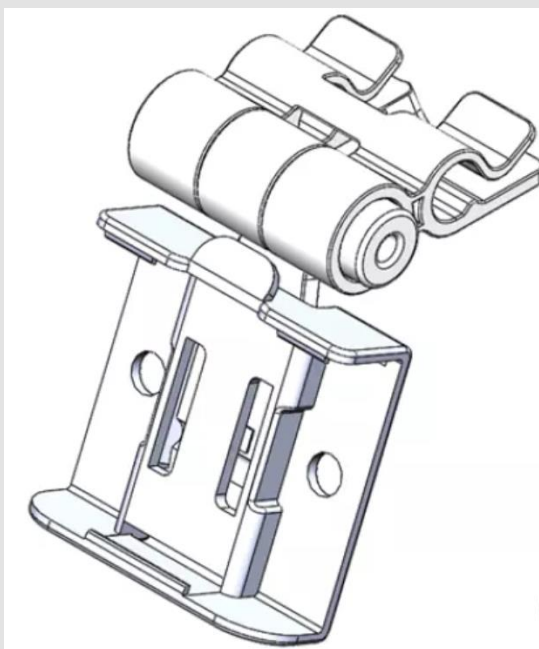
VUSION Peg hook Adaptor 3 position 5-9 mm

SAP Code

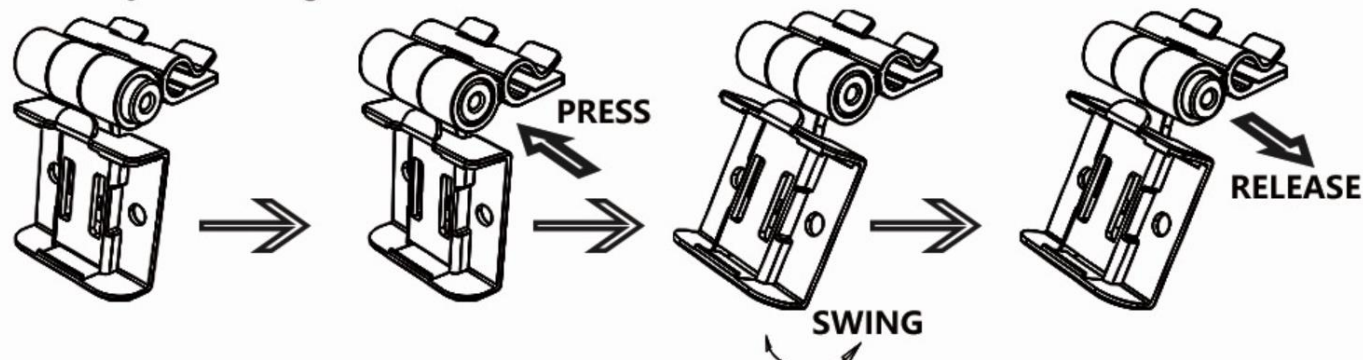
MOQ

4010

25



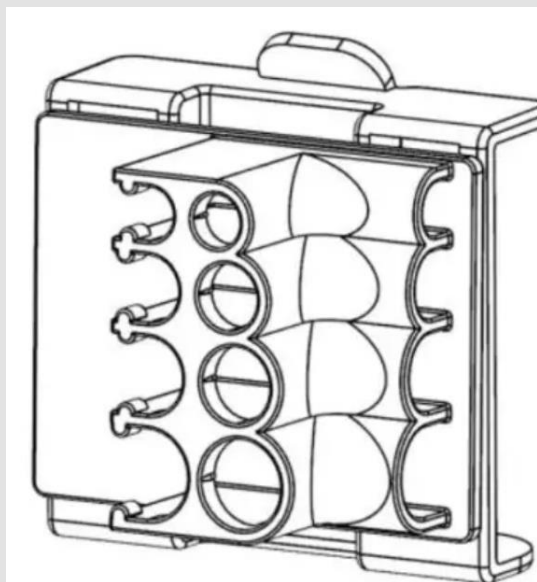
How to adjust the angle





VUSION L-Hook Horizontal

SAP Code	MOQ
13460	25





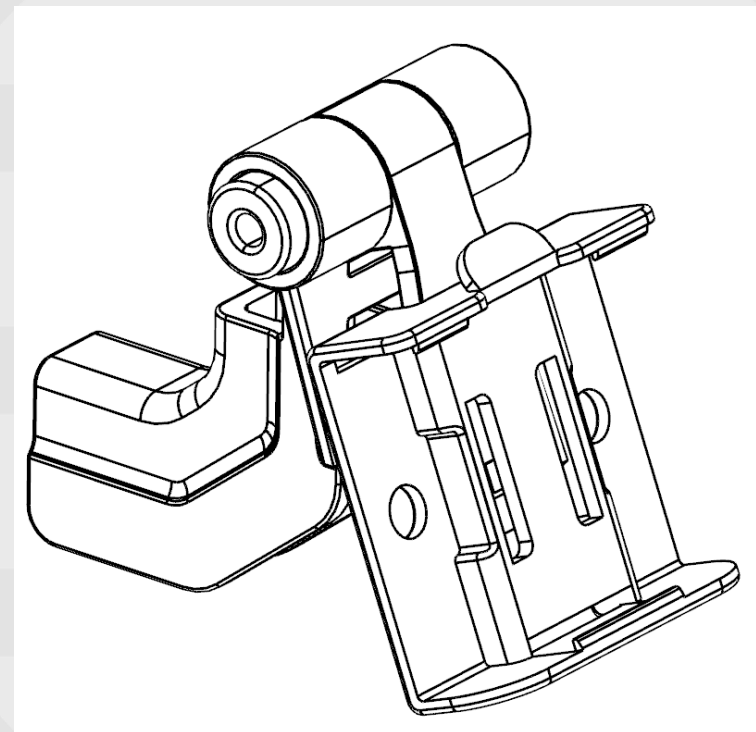
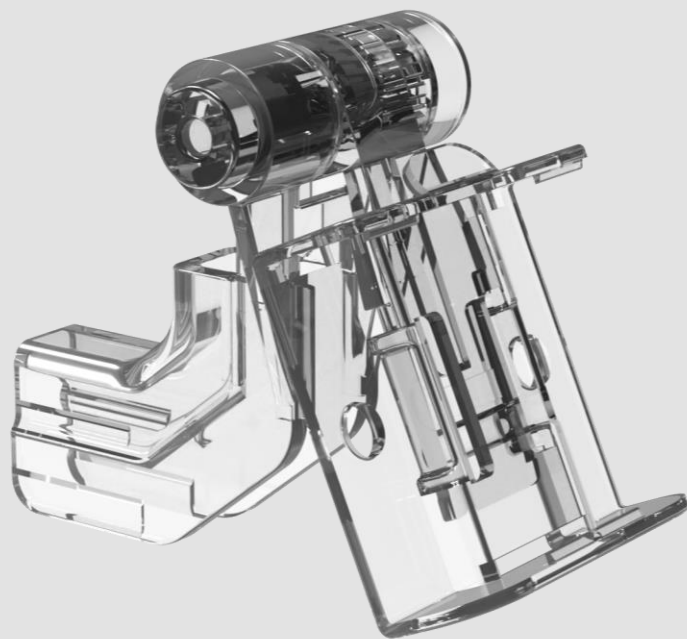
VUSION L-Hook vertical

SAP Code

MOQ

13461

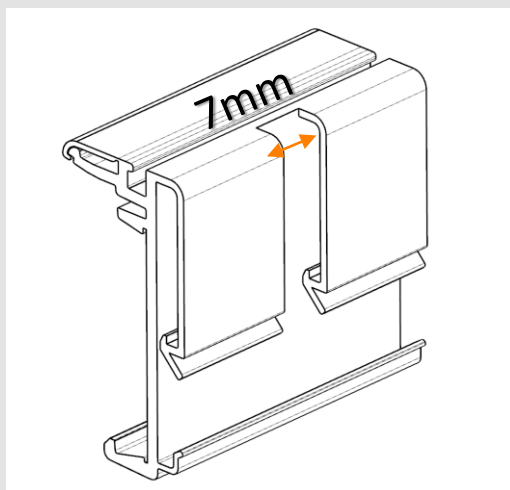
25





VUSION Peg hook Square plate - 7mm

SAP Code	MOQ
13454	50



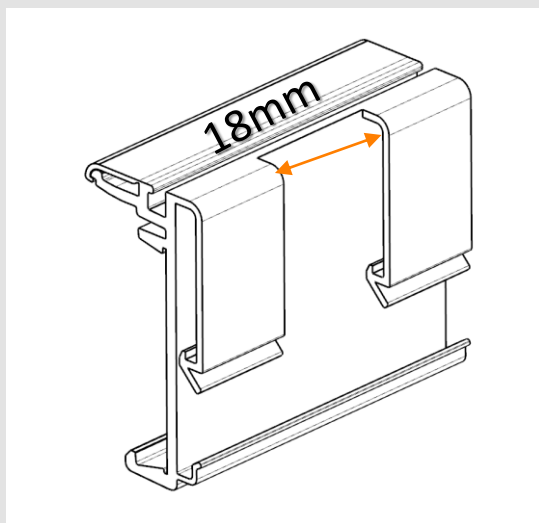
Mainly adapted shelf
19mm





VUSION Peg hook Square plate 18mm

SAP Code	MOQ
13462	50



Mainly adapted shelf
33.7mm

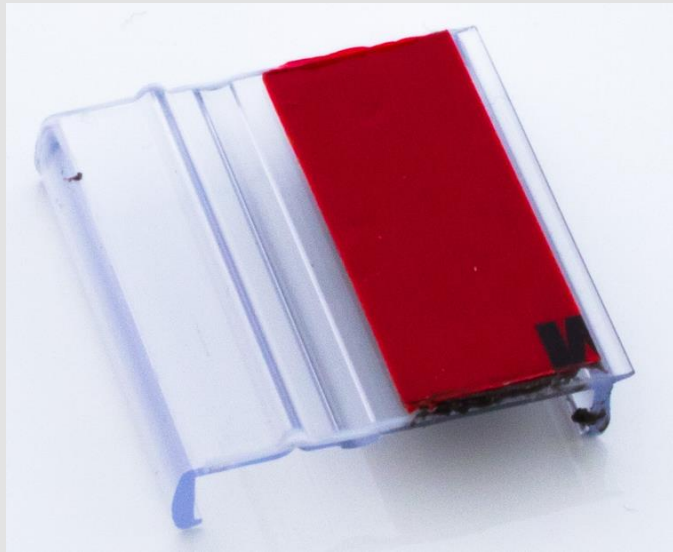




Vusion Universal clip – adhesive (xxxx"-2.9)

Sap Description: VUSION Universal clip adhesive [transparent]

SAP Code	MOQ
3971	50

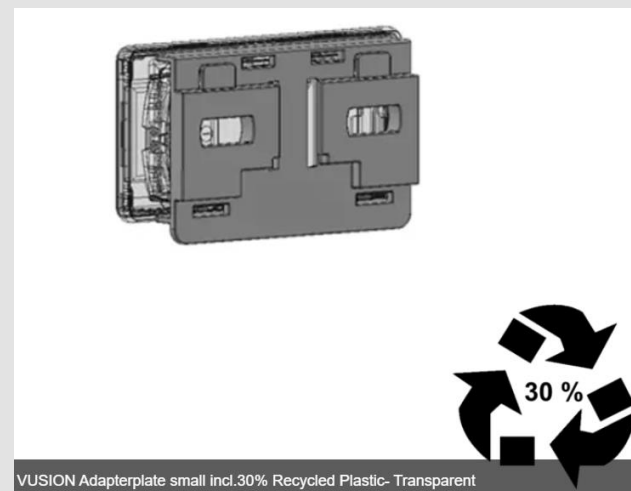




Vusion Adapterplate small – screws + dovetail (1.6” – 2.9”)

Sap Description: VUSION Adapterplate small incl.30% Recycled Plastic - Transparent

SAP Code	MOQ
3965	25





Vusion Adapterplate small – Easylock – screws + dovetail (1.6' – 2.9')

Sap Description: VUSION ESL Adaptor Small

SAP Code	MOQ
13463	25

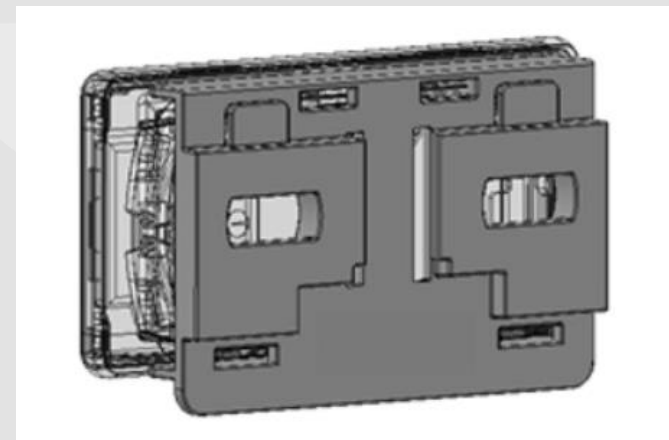




Vusion Adapterplate small – magnetic (xxxx” – 2.9)

SAP Description: VUSION Adapterplate small - magnetic - incl.30% Recycled Plastic

SAP Code	MOQ
3968	25





Vusion Adapterplate medium – adhesive (3.7 – 4.5”)

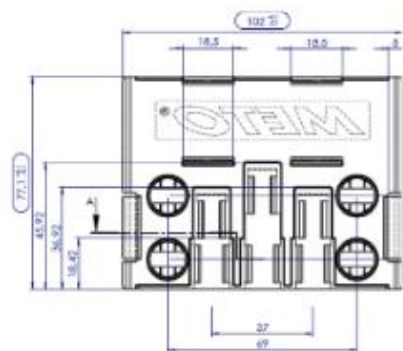
Sap Description: VUSION adapterplate large - adhesive incl.30% Recycled Plastic -Transparent

SAP Code	MOQ
3970	25

Exemplary Picture



2D Technical Drawing



TECHNICAL DETAILS

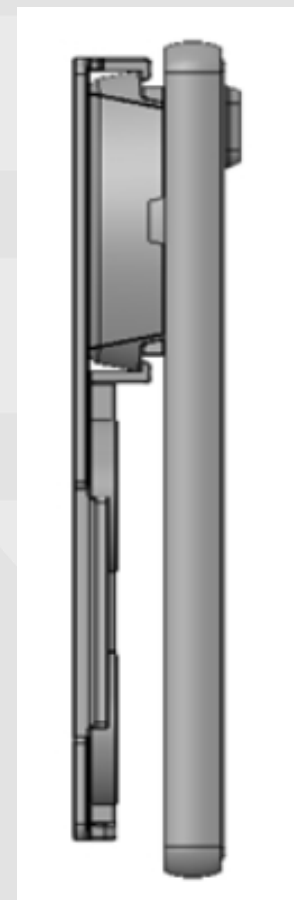
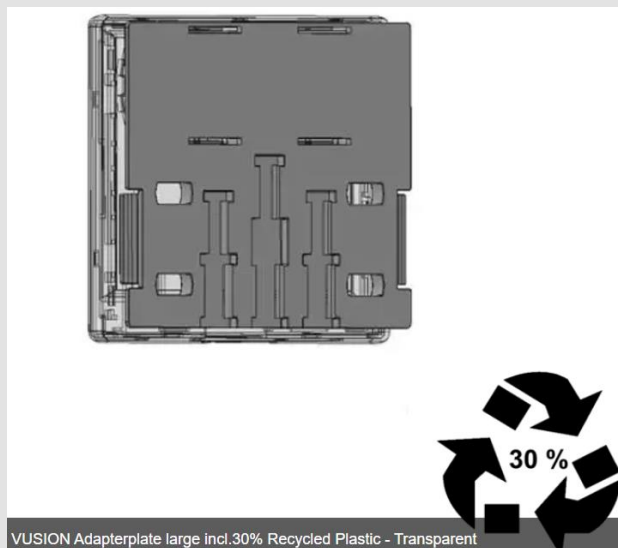
Art. No.	12011227 / 9516478
Dimensions (LxWxD)	77 x 102 mm
Color	transparent
Material	PC (Polycarbonate)
Food safety conformity	U.S. FDA 21 CFR 177.1580 / EU food contact 2002/72/EC
Temperature resistance	125°C
Applications	for SES-Imagotag Vusion ESL, 4.2" / 6.0" / 7.4"
Key features	Simply click on the ESL battery case
Max. holding force	
Mechanical specifications	Click the plate directly on the battery cap. With intergrated card inserts for promotions. With double sided tape to fit at various surfaces.
Warranty	1 year
HS code	39269097
MOQ	Standard article 1 Pac, if customized on request
Country of origin	China
Packaging information:	
Lot size	25 PCS in a cardbox
Size (LxWxD)	235x95x170mm
Net weight	22g
Gross weight	629g



Vusion Adapterplate medium – screws + dovetail (3.7-4.5’’)

Sap Description: VUSION Adapterplate large incl.30% Recycled Plastic - Transparent

SAP Code	MOQ
3967	50





Vusion Adapterplate medium – magnetic (3.7” – 4.5”)

Sap Description: VUSION Adapterplate large - magnetic - incl.30% Recycled Plastic

SAP Code	MOQ
3963	25

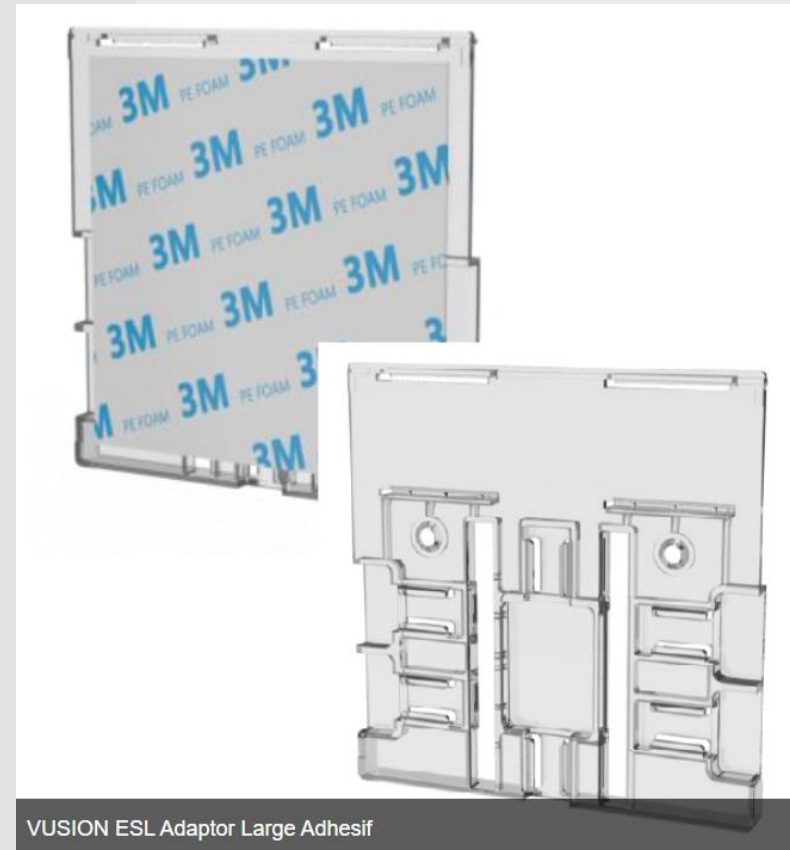




Vusion Adapterplate large – adhesive (7.4” – 9.7”)

Sap Description: VUSION ESL Adaptor Large Adhesif

SAP Code	MOQ
13464	25

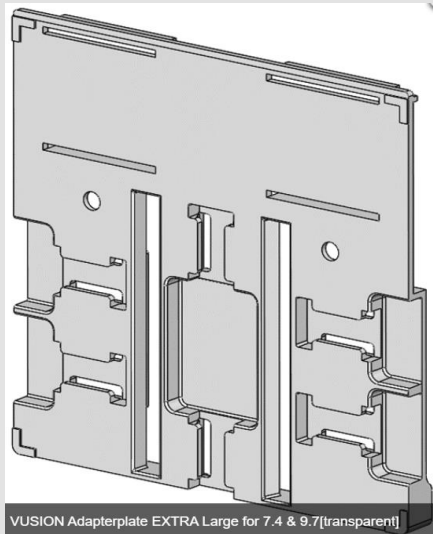




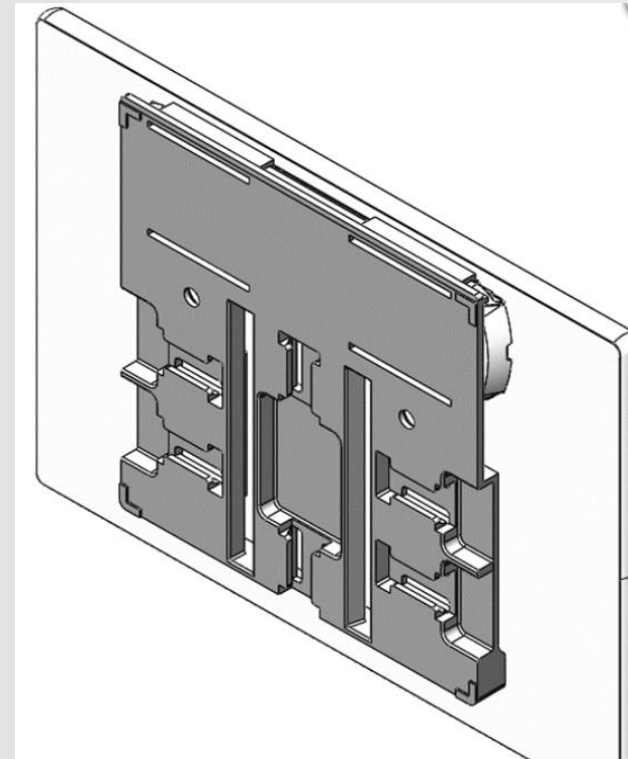
VUSION Adapterplate large – screws + dovetail (7.4” – 9.7”)

Sap Description: VUSION Adapterplate EXTRA Large for 7.4 & 9.7[transparent]

SAP Code	MOQ
11090	10



VUSION Adapterplate EXTRA Large for 7.4 & 9.7[transparent]

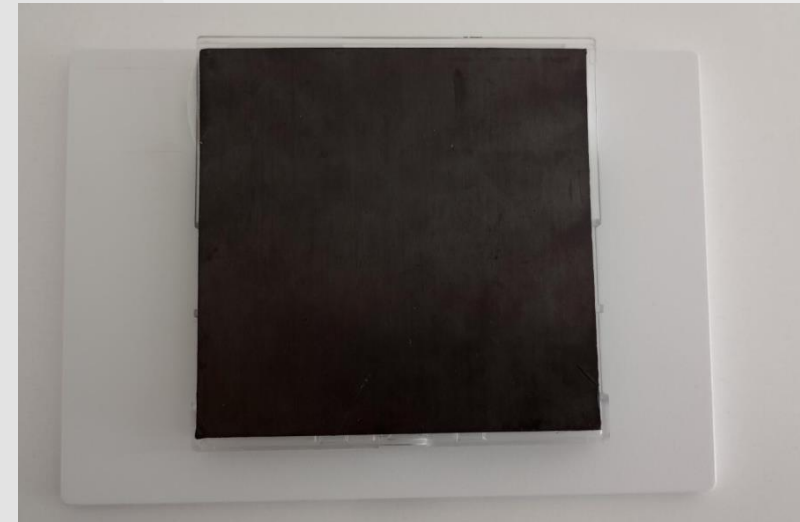
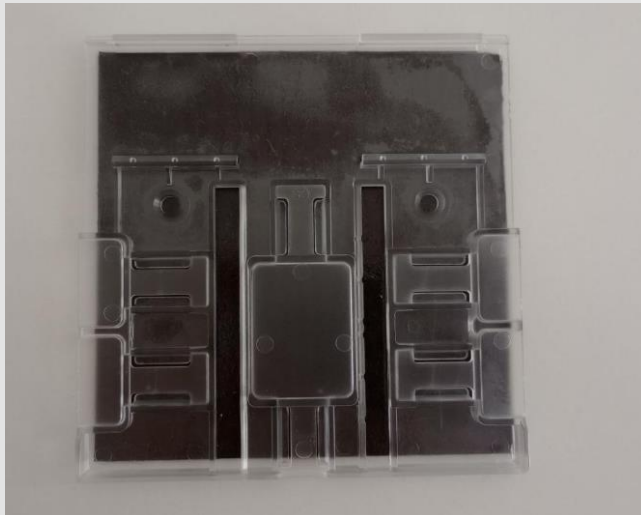




Vusion Adapterplate large – magnetic (7.4"-9.7")

Sap Description: VUSION Adapterplate Extra large MAGNET 7.4&9.7

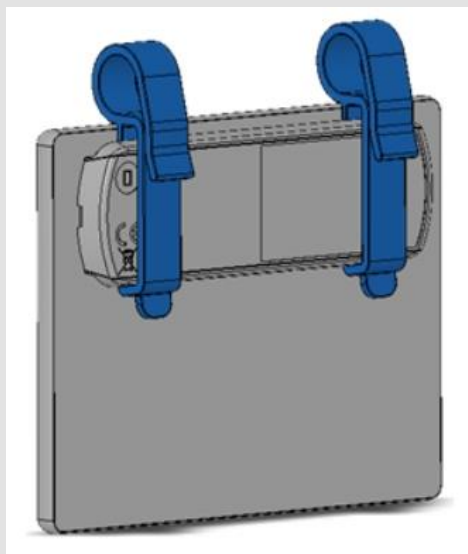
SAP Code	MOQ
12361	50





VUSION Suspension hook [black]

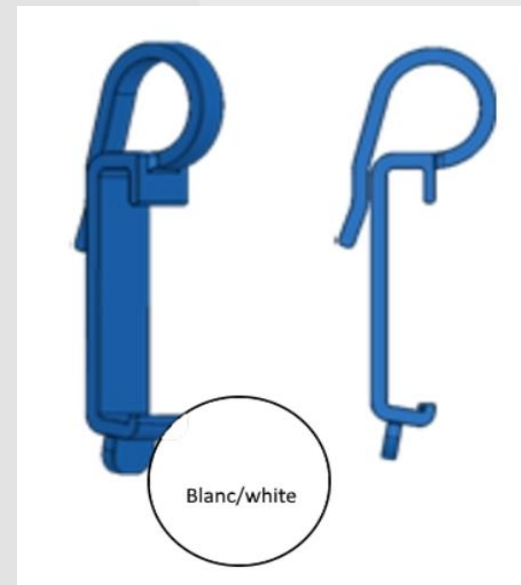
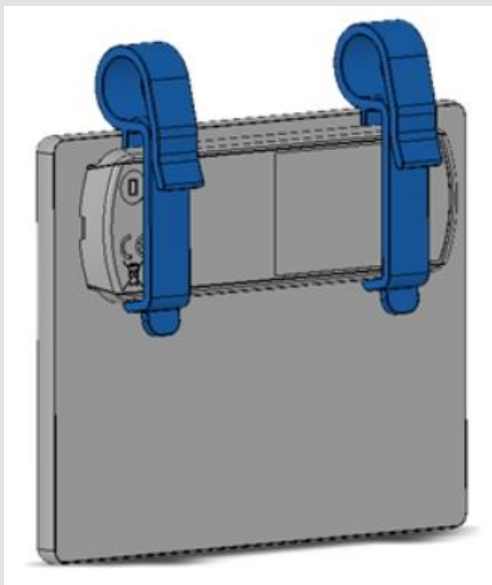
SAP Code	MOQ
3964	50





VUSION Suspension hook [white]

SAP Code	MOQ
3966	50

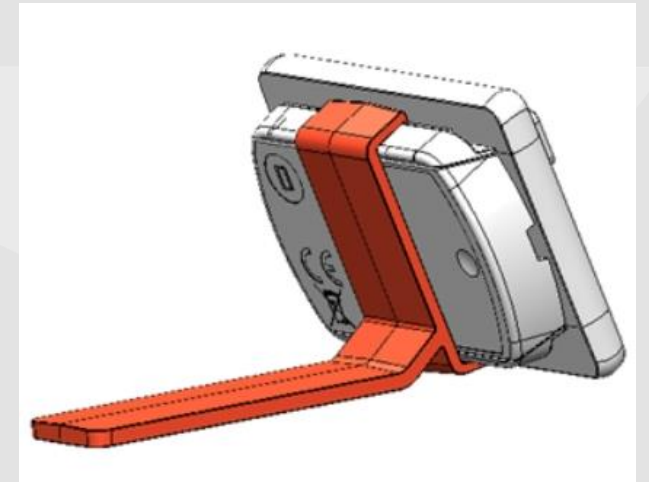




VUSION Stand small - Transparent

Sap Description: VUSION Foostand small - incl.30% Plastic Recycled - Transparent

SAP Code	MOQ
3969	25





VUSION Stand [Anthracite]

SAP Code	MOQ
3907	28





VUSION Stand [white]

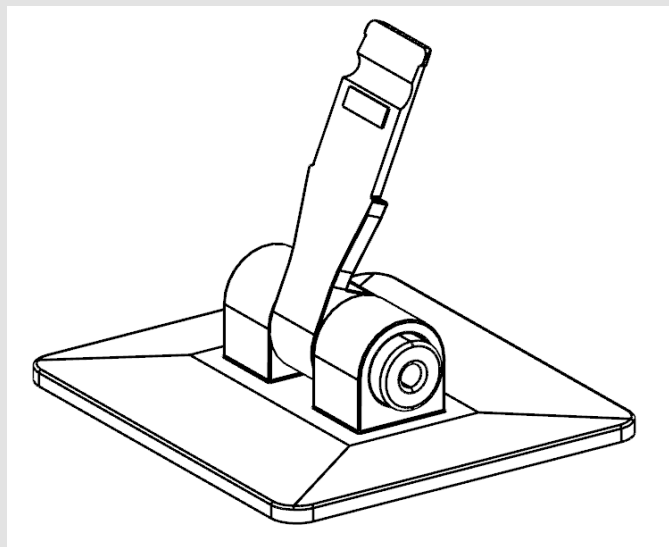
SAP Code	MOQ
3977	28





VUSION Small Table Stand INCLINABLE

SAP Code	MOQ
13470	25





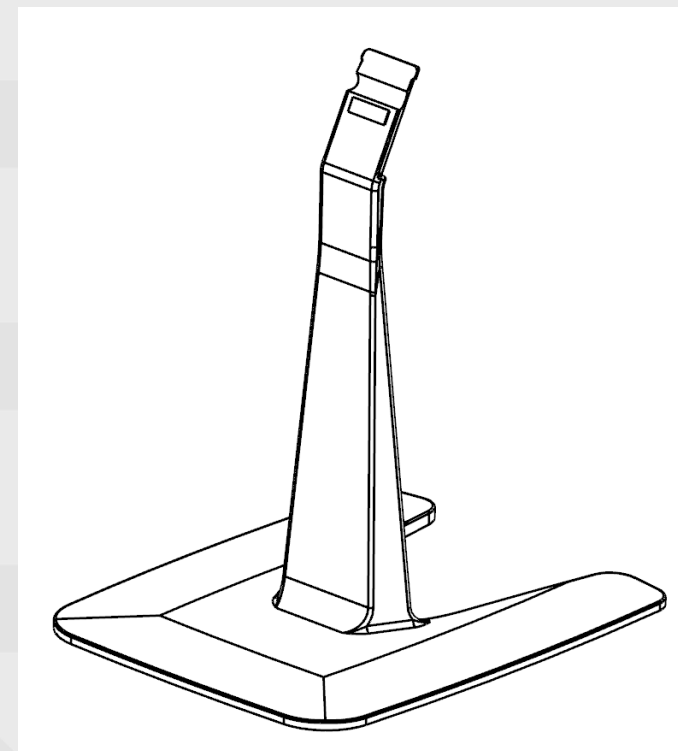
VUSION Medium Table Stand

SAP Code

MOQ

13471

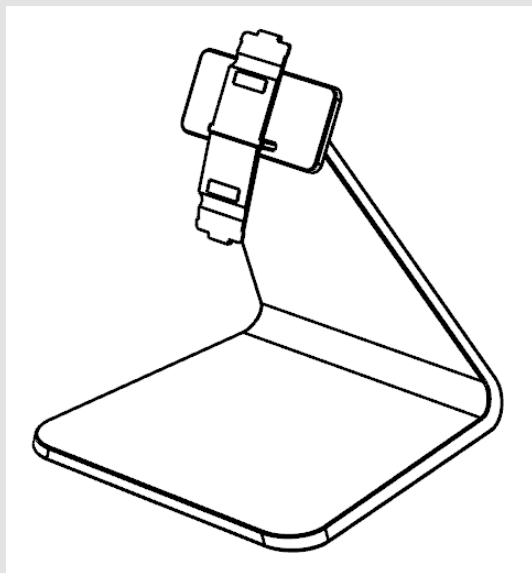
25





VUSION Large Table Stand

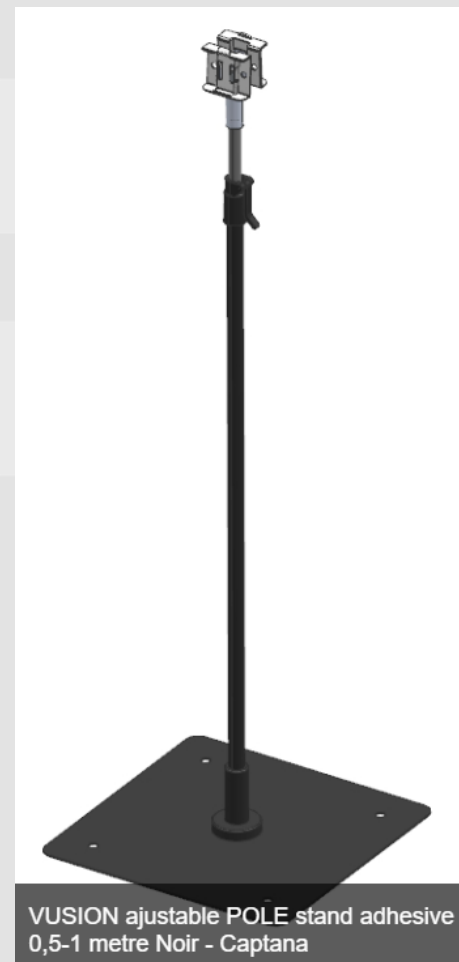
SAP Code	MOQ
13472	5





VUSION ajustable POLE stand adhesive 0,5-1 mètre Noir - Captana

SAP Code	MOQ
12202	10





Wall Mount for Vusion 12.2 inch

Sap Description: VUSION Wall mounting for 12.2

SAP Code	MOQ
3978	25

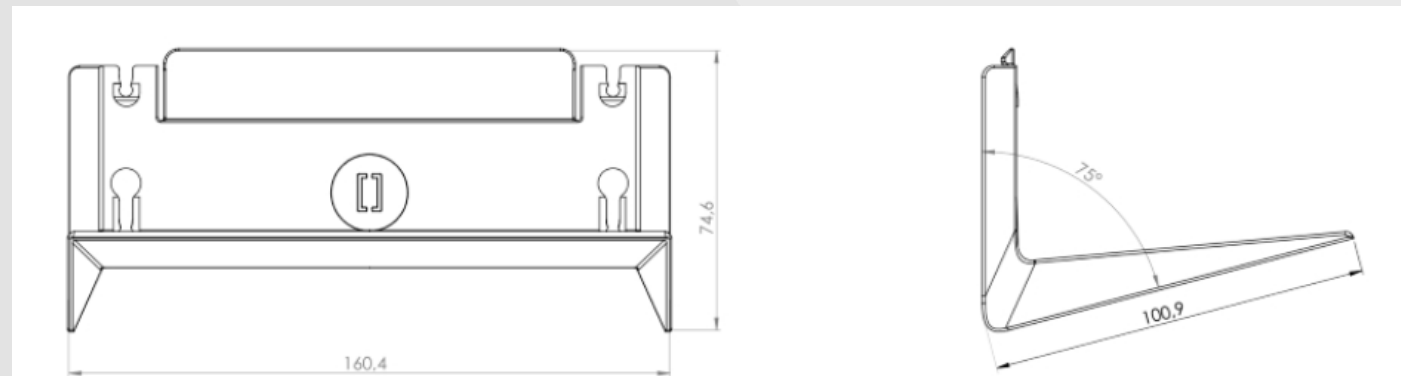




VUSION Stand for 12.2 – screws mount

Sap Description: VUSION Stand for 12.2 with screws

SAP Code	MOQ
3983	5





VUSION Scorpion Clamp pack – Black

Sap Description: VUSION Scorpion pack incl.30% Recycled Plastic

SAP Code	MOQ
3980	25

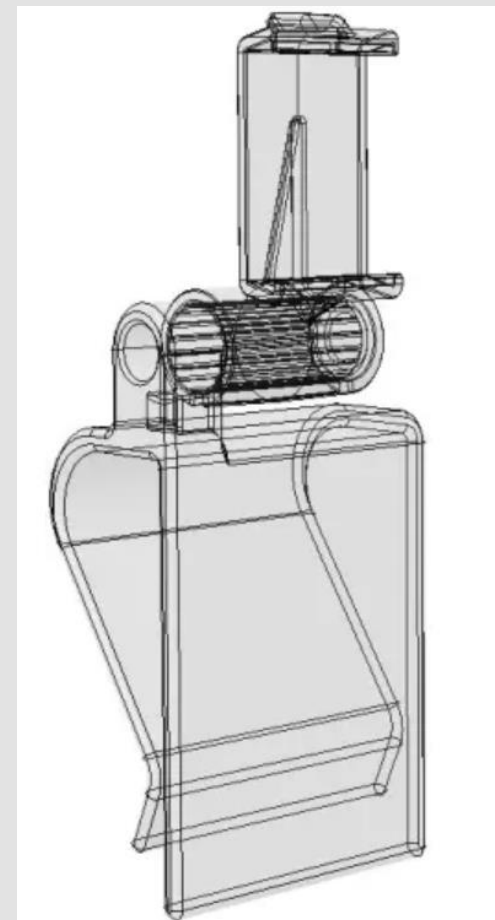
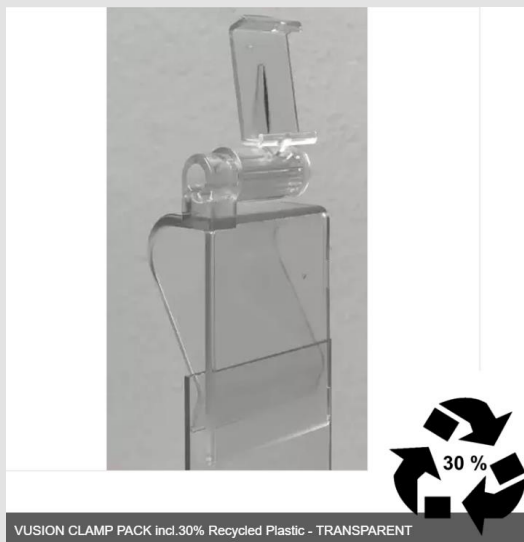




VUSION Clamp pack - Transparent

Sap Description: VUSION Clamp Pack incl.30% Plastic Recycled - Transparent

SAP Code	MOQ
3982	25

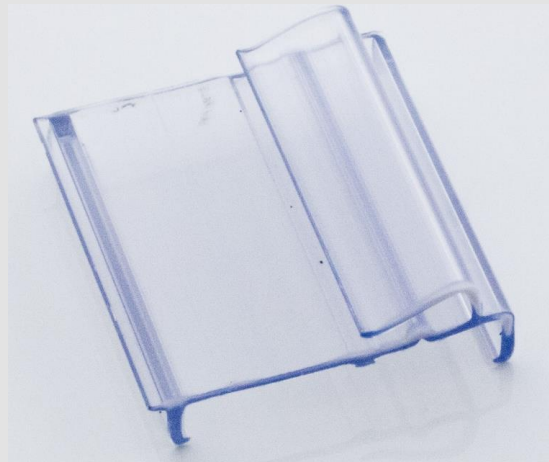




VUSION Adapter Paper rail – 26mm height - transparent

Sap Description: VUSION adaptor paper rail - H 26mm [transparent]

SAP Code	MOQ
3974	50

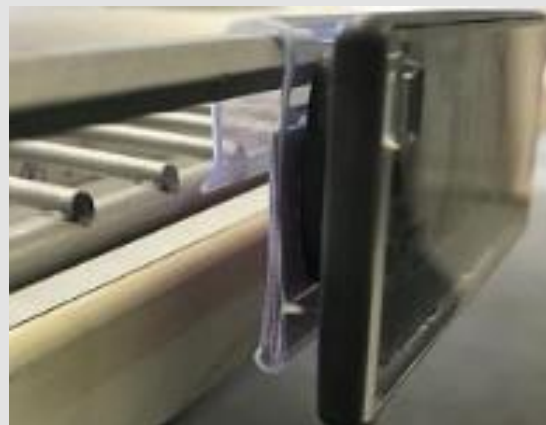
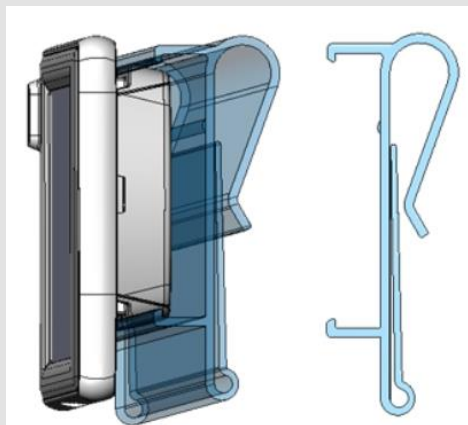




Vusion Individual Wire Rail

Sap Description: VUSION wire clip individual [transparent]

SAP Code	MOQ
3976	50



TECHNICAL DETAILS

Art. No.	12011233 / 9509708
Dimensions (LxWxD)	41,05 x 36 x 13,5mm
Color	transparent
Material	PVC
Food safety conformity	
Temperature resistance	+60 °C
Applications	Rail holder for imagotag ESL
Key features	Fit the VUSION ESL 1.6" till 7.4" at a wire
Max. holding force	
Mechanical specifications	Click at the ESL via battery case. To fit the ESL on wires. With paper insert behind the ESL
Warranty	1 year
HS code	39269097
Country of origin	China
Packaging information:	
Lot size	50 pcs in a poly bag
Size (LxWxD)	54x270x100mm
Net weight	3,5g
Gross weight	88,2g



VUSION Glass Shelf clip 1.6/2.2

Sap Description: VUSION Glass-shelf Clip 1.6/2.2/2.6 incl.30% Recycled Plastic -Transparent

SAP Code	MOQ
3962	50





Ice Pick for WP tag

Sap Description: LF ICE PICK E-TAG

SAP Code	MOQ
3903	25

