

# VUSION ESL Core Technologies

## Interact with Shoppers

With embedded NFC

## More Colors for More Dynamic Content

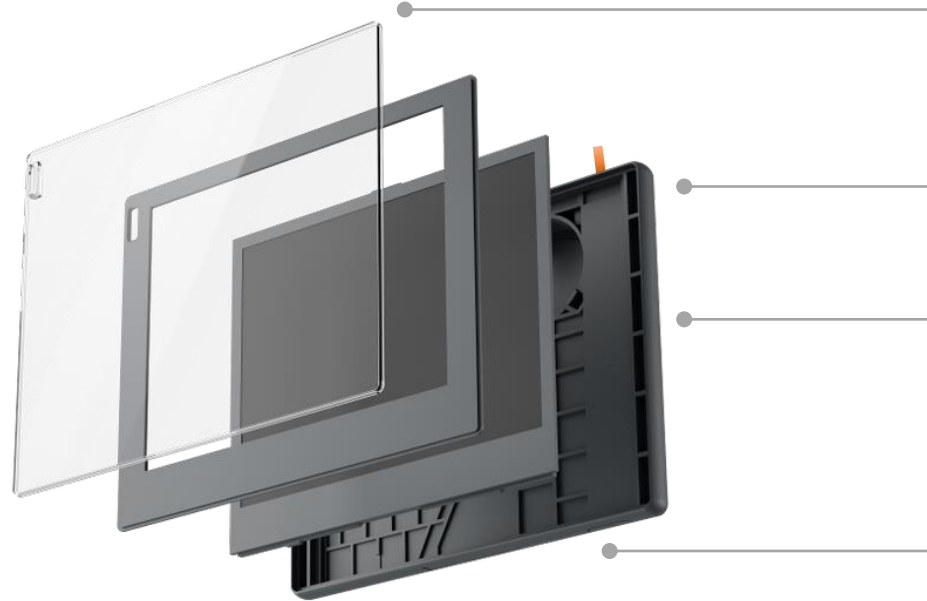
Available in BW, BWR, BWY, BWRY



## Long-Lasting Battery

Lifetime up to 13 Years, Depending on Use Cases/Sizes  
Optimized Battery Management through VUSION Cloud

**TÜV Validated Battery Lifetime**



## Guaranteed Performance & Security

High transmission speed  
Over The Air Permanent Updates,  
High Security Encryption (unique key / ESL)

## Secured with Easylock

Optional Patented Anti-theft System

## Attract Shoppers & Optimize Your Store

RGB + White LED, 180° viewing angle; Configurable response time

## 100% Refurbishable

with dedicated Facility to build 2<sup>nd</sup> life ESLs

**>7.5 M ESL already refurbished**

